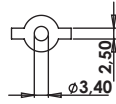
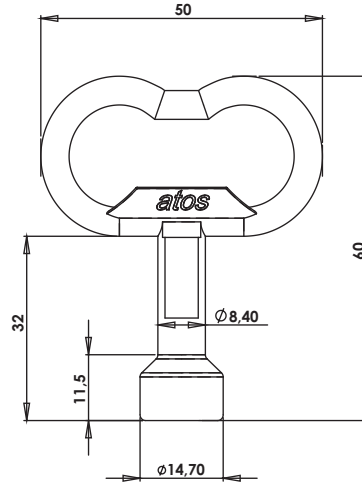
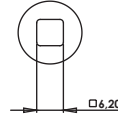


AP01.DD.1.2

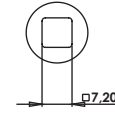
**METAL ANAHTAR
METAL KEY**



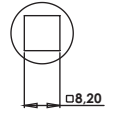
DD: 03



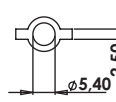
DD: 46



DD: 47



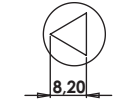
DD: 48



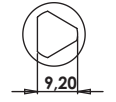
DD: 05



DD: 77



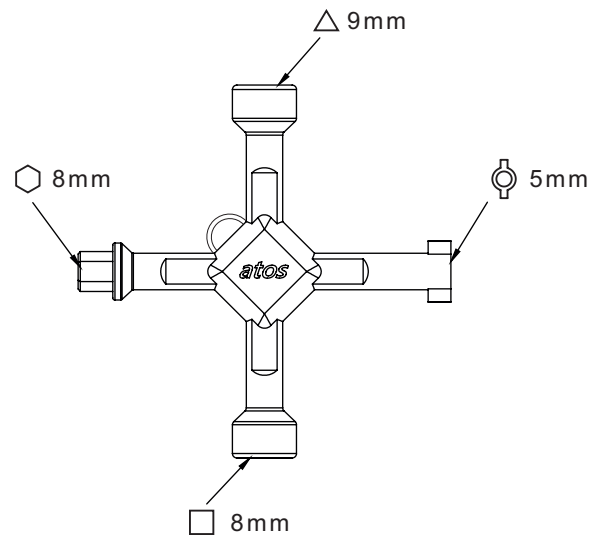
DD: 78



DD: 79

AP01.99

**KOMBİNE ANAHTAR
COMBINED KEY**



Malzeme:

- * Zamak DIN-EN 1774-ZnAl4Cu1
- * Kaplama: Krom : Chrome

Material :

- * Zamak DIN-EN 1774-ZnAl4Cu1
- * Finish: Chrome